

## Induction Light Series

### Large Shallow Wall Pack



**WP20I**

**Housing:**

Die Cast Aluminum Housing & Hinged Front Frame, 1/2" Coin Plugs with O-rings for Conduit & Photocell, Textured Architectural Bronze Powdercoat Finish Over a Chromate Conversion Coating

**Reflector:**

Aluminum Reflector

**Lens:**

Molded Prismatic Borosilicate Glass Lens

**Mounting:**

Cast-in Template for Mounting Directly Over a 4" Recessed Outlet Box, or Use 1/2" Surface Conduit.

**Wattage:**

Induction: 40, 60, 80 or 100w, 5000K

**Listing & Ratings:**

CSA: Listed for Wet Locations

**Options:**

2.5KV Surge Protection

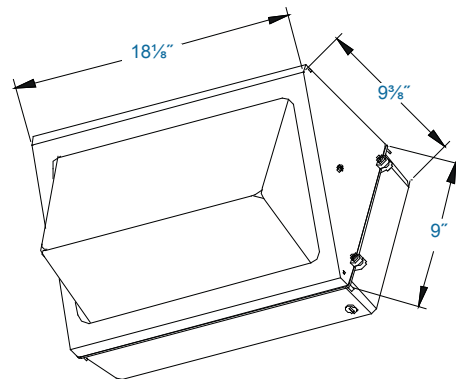
Custom Colors Available Upon Request.

Complete Units (Includes Lamp & Ballast)				
Catalog #	Wattage	Voltage	Lamp	Ballast
WP20I40U5K-	40	120-277	Induction	Electronic
WP20I60U5K-	60	120-277	Induction	Electronic
WP20I80U5K-	80	120-277	Induction	Electronic
WP20I100U5K-	100	120-277	Induction	Electronic

- Add SP for Surge Protection

**KELSEY-KANE LIGHTING MFG. CO.**  
Voice & Text: 954-772-3187  
E-Mail: [info@kelsey-kane.com](mailto:info@kelsey-kane.com)  
Website: [www.kelsey-kane.com](http://www.kelsey-kane.com)

**DIMENSIONS**

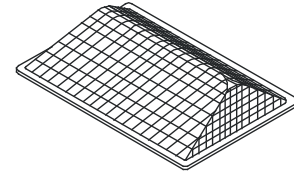


**WP20I**

Catalog #	Description
WP25GL	Molded Prismatic Borosilicate Glass Lens with Gasket
WP25FCS	Full Cutoff, Stamped Steel, Textured Bronze Finish
WP25SCS	Side Cutoff, Stamped Steel, Textured Bronze Finish
WP25LG	Clear Polycarbonate Vandal Resistant Guard
WP25WG	Wire Guard, Stainless Steel Construction

**Induction Light Series**

**Large Shallow Wall Pack**



**WP25GL**



**WP25FCS**  
(Shown Mounted)



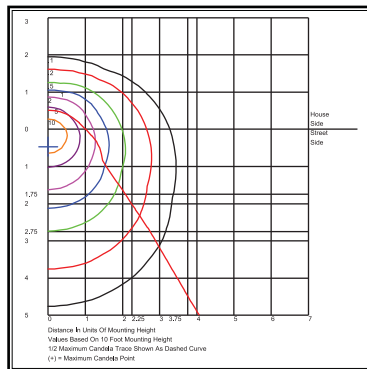
**WP25SCS**  
(Shown Mounted)



**WP25LG**  
(Shown Mounted)



**WP25WG**  
(Shown Mounted)



**WP201100**

**KELSEY-KANE LIGHTING MFG. CO.**  
 Voice & Text: 954-772-3187  
 E-Mail: [info@kelsey-kane.com](mailto:info@kelsey-kane.com)  
 Website: [www.kelsey-kane.com](http://www.kelsey-kane.com)