

EasyLED Series

EasyLED Large Shallow Wall Pack



WP20Q

Housing:

Die Cast Aluminum Housing & Hinged Front Frame, ½" Coin Plugs with O-rings for Conduit & Photocell, Textured Architectural Bronze Powdercoat Finish Over a Chromate Conversion Coating

Lens:

Molded Prismatic Borosilicate Glass Lens

Mounting:

Cast-in Template for Mounting Directly Over a 4" Recessed Outlet Box, or Use ½" Surface Conduit.

LumaFit LED:

Array Lumens: 8,025

Delivered Lumens: 6,639

CRI: 85

CCT: 4000K, 5000K

Rated Life: 50,000 Hours

5-Year Warranty

Aluminum Boards

Wattage:

Array: 57.8w, System: 67.3w

Driver:

Electronic Driver, 120-277V, 50/60Hz or

347/480V, 50/60Hz;

Dimmable Driver

Listing & Ratings:

CSA: Listed for Wet Locations. IP65

Operating Temperatures: -40°C to +40°C

LM-79 Report Available on Select Models.

Options:

Surge Protection

Battery Backup

Custom Colors Available Upon Request.

KELSEY-KANE LIGHTING MFG. CO.

Voice & Text: 954-772-3187

E-Mail: info@kelsey-kane.com

Website: www.kelsey-kane.com



DesignLights Consortium™ Qualified Luminaires:
WP20QF1X58U5K*

EasyLED Large Shallow Wall Pack

Catalog #

Description

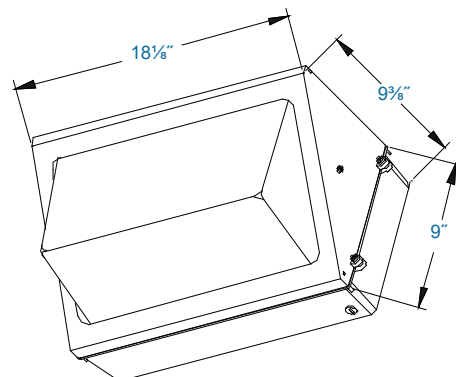
Complete Units

Ordering Information

Example: WP20QF1X58U5KZSP

WP20	Model:	WP20
Q	LED Mfr:	Q=QSSI
F	Optics:	F=Medium Beam Spread
1X	Number of Arrays:	1X=One
58	Wattage:	58=58w
U	Ballast:	U=120-277V, H=347/480V
5K	CCT:	4K=4000K, 5K=5000K
Z	Color:	Z=Bronze
-	Mounting:	N/A
SP	Options:	SF=Single Fuse, DF=Double Fuse, SP=Surge Protection

DIMENSIONS

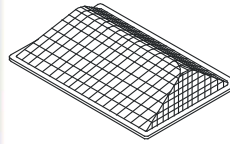


WP20Q

Catalog #	Description
WP25GL	Molded Prismatic Borosilicate Glass Lens with Gasket
WP25FCS	Full Cutoff, Stamped Steel, Textured Bronze Finish
WP25SCS	Side Cutoff, Stamped Steel, Textured Bronze Finish
WP25LG	Clear Polycarbonate Vandal Resistant Guard
WP25WG	Wire Guard, Stainless Steel Construction
3EBL1202774500	Provides 90 Minutes of Backup Power.

EasyLED Series

EasyLED Large Shallow Wall Pack



WP25GL



**WP25FCS
(Shown Mounted)**



**WP25SCS
(Shown Mounted)**



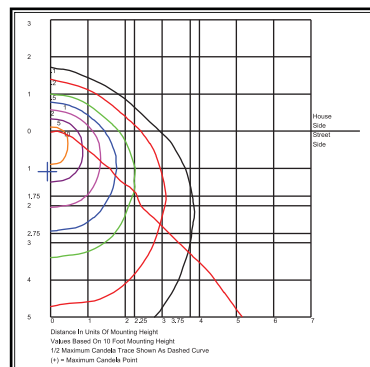
**WP25LG
(Shown Mounted)**



**WP25WG
(Shown Mounted)**

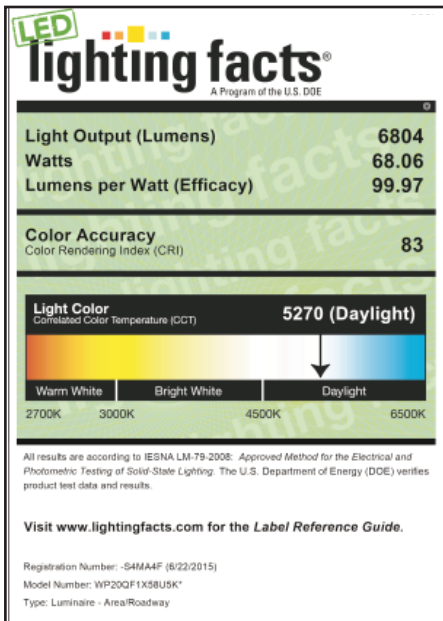


3EBL1202774500



WP20QF1X58U5K

KELSEY-KANE LIGHTING MFG. CO.
 Voice & Text: 954-772-3187
 E-Mail: info@kelsey-kane.com
 Website: www.kelsey-kane.com



LM-79 Report Available.

DesignLights Consortium™ Qualified Luminaire.

KELSEY-KANE LIGHTING MFG. CO.
Voice & Text: 954-772-3187
E-Mail: info@kelsey-kane.com
Website: www.kelsey-kane.com