

## Wall Pack Series

### Crescent Wall Sconce Down Light



**WP35**

**Housing:**

Die Cast Housing, Textured White, Bronze, or Black Powdercoat Finish Over a Chromate Conversion Coating

**Reflector:**

Aluminum Reflector

**Lens:**

Flat Tempered Glass Lens

**Socket:**

HID: Porcelain 4KV Pulse Rated Medium Base Socket with Nickel Plated Screw Shell  
PL: Plug-In Type, GX24Q-4

**Mounting:**

Mount Over a 4" Recessed Outlet Box Includes Easy-Hang "Two Hands Free" Wall Mounting Bracket

**Wattage:**

High Pressure Sodium: 35 to 150w  
Metal Halide: 50 to 100w  
Pulse Start: 150w  
Compact Fluorescent: 1 x 26 to 42w

**Listing & Ratings:**

CSA: Listed for Wet Locations

**Add:** Battery Backup Available (Sold Separately)

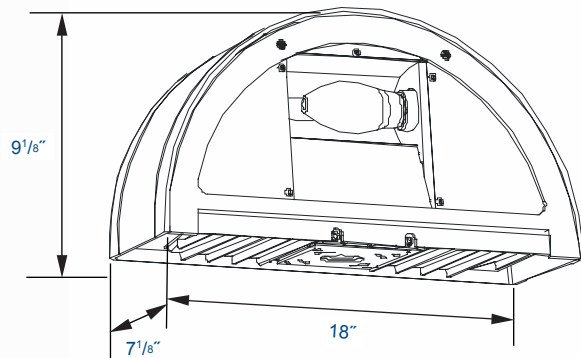
Other Wattages & Custom Colors Available Upon Request.

Kit(s)				
Catalog #	Description			
WP35*	Crescent Wall Sconce Down Light, HID Kit			
WP35F*	Crescent Wall Sconce Down Light, Single Fluorescent Kit			
Complete Units (Lamp Included)				
Catalog #	Wattage	Voltage	Lamp	Ballast
WP35H35R120L*	35	120	HPS	R-NPF
WP35H50R120L*	50	120	HPS	R-NPF
WP35H70R120L*	70	120	HPS	R-NPF
WP35H100R120L*	100	120	HPS	R-NPF
WP35H150R120L*	150	120	HPS	R-NPF
WP35H70QL*	70	Quad	HPS	HX-HPF
WP35H100QL*	100	Quad	HPS	HX-HPF
WP35H150QL*	150	Quad	HPS	HX-HPF
WP35M50DL*	50	120/277	MH	HX-HPF
WP35M70QL*	70	Quad	MH	HX-HPF
WP35M100QL*	100	Quad	MH	HX-HPF
WP35P150QL*	150	Quad	PS	HX-HPF
WP35F26EL*	1 x 26	120-277	PL	Electronic
WP35F32EL*	1 x 32	120-277	PL	Electronic
WP35F42EL*	1 x 42	120-277	PL	Electronic

\*Specify Color: BZ=Bronze, WH=White, BK=Black

**KELSEY-KANE LIGHTING MFG. CO.**  
Voice & Text: 954-772-3187  
E-Mail: [info@kelsey-kane.com](mailto:info@kelsey-kane.com)  
Website: [www.kelsey-kane.com](http://www.kelsey-kane.com)

**DIMENSIONS**



**WP35**

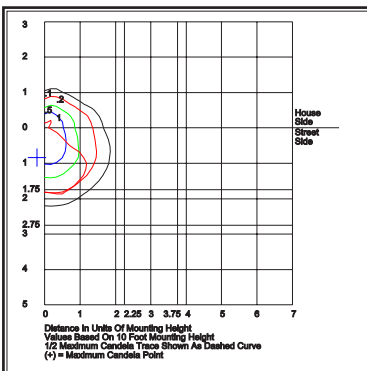
Catalog #	Description
3EB120277	Battery Backup Pack, 120-277V

**Wall Pack Series**

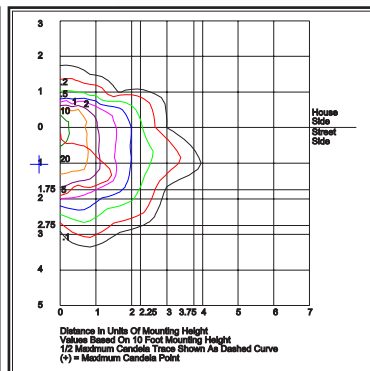
**Crescent Wall Sconce  
Down Light**



**3EB120277**



**WP35F42EL**



**WP35M175**

**KELSEY-KANE LIGHTING MFG. CO.**  
**Voice & Text: 954-772-3187**  
**E-Mail: [info@kelsey-kane.com](mailto:info@kelsey-kane.com)**  
**Website: [www.kelsey-kane.com](http://www.kelsey-kane.com)**