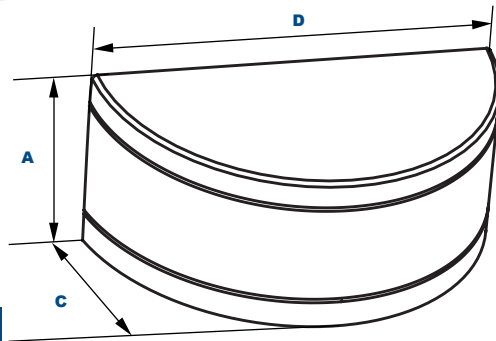




WP35Q **L70** **347,000 Hours**
 25°C
EasyLED Crescent Wall Sconce Down Light



Dimensions

Width (D)	18" (458mm)
Length (B)	7 1/8" (181mm)
Height (A)	9 1/8" (232mm)

WP35Q cut-off architectural wall luminaire is available with IES IES Type III distribution designed to replace HID lighting systems from 150w to 250 MH or HPS. Typical wall mounted lighting applications include retail centers, industrial parks, schools and universities, public transit and airports, office buildings and medical facilities. Mounting heights of 12 to 20 feet can be used based on light level and uniformity requirements.

Specifications and Features:

Housing:

Die Cast Aluminum Housing with Full Cutoff Front Frame. Nickel-Plated Stainless Steel Hardware.

Finish:

Textured Powdercoat Finish Over a Chromate Conversion Coating. Custom Colors Available Upon Request.

Lens:

Tempered Clear Flat Glass Lens

Mounting Options:

Mount Directly Over a 4" Recessed Outlet Box, Includes Easy-Hang "Two Hands Free" Wall Mounting Bracket with Built-In Level.

EasyLED LED:

Aluminum Boards

Wattage:

Array: 46.5w, System: 52w
 (250w HID Equivalent)

Driver:

Electronic Driver, 120-277V, 50/60Hz or 347/480V, 50/60Hz; Dimmable Driver

Listing & Ratings:

CSA: Listed for Wet Locations.
 Operating Temperatures: -40°C to +40°C
 IP65 Sealed LED Compartment.

LM-79 Report Available on Select Models.

See Page 2 for Projected Lumen Maintenance Table.

5-Year Warranty.

Order Information Example:

WP35QC1X47U5KCZSP

WP35Q	C	1X47			C		
Model	Optics	Wattage	Driver	CCT	Lens	Color	Options

WP35Q= EasyLED Crescent Wall Sconce Down Light

C=Type III

1X47=47w

U=120-277V
H=347/480V

4K=4000K
5K=5000K
3K=3000K is available as a Special Order.

C=Clear Flat Glass Lens

Z=Bronze
B=Black
W=White
C=Custom (Consult Factory)

SF=Single Fuse
DF=Double Fuse
SP=Surge Protection
PC1=Photocell, 120VAC
PC2=Photocell, 250-305VAC
BU=Battery Backup, 90 Minutes

Project Information:

Project Name: _____ Fixture Type: _____
 Complete Catalog #: _____ Date: _____
 Comments: _____

Certification & Listings:



DesignLights Consortium™
 Qualified Luminaires:
 WP35QC1X47U5KC**





Accessories & Replacement Parts:

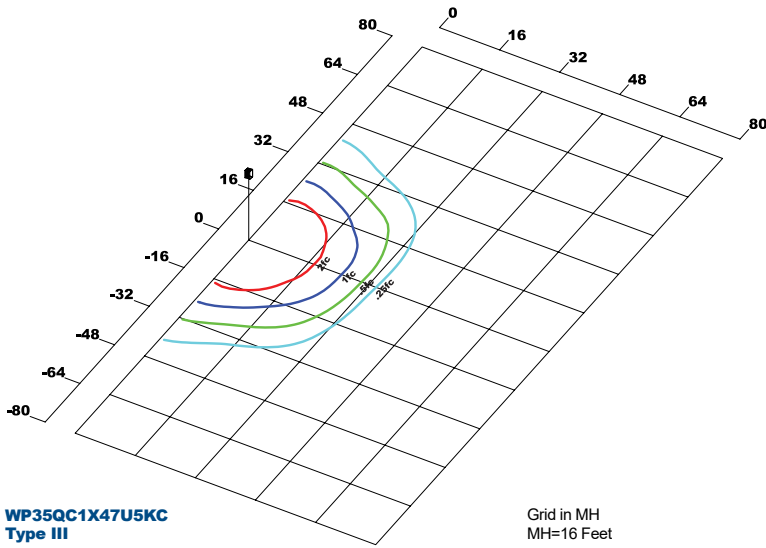


PC1 & PC2 3EBL1202774500

Replacement Parts
(Order separately, Field installed)

WP35GLC	Tempered Clear Flat Glass Lens
PC1	120VAC, Photocell
PC2	250-305VAC, Photocell
3EBL1202774500	Battery Backup, Provides 90 Minutes of Backup Power

Photometric Data



WP35QC1X47U5KC
 Type III

Grid in MH
 MH=16 Feet

Photometric Performance

LED Board Watts	Drive Current (mA)	Input Watts	Optics	5000 CCT 80 CRI			4000 CCT 80 CRI		
				Lumens	LPW	B U G	Lumens	LPW	B U G
EasyLED 47w	525	52	Type III	4,921	95	1 1 1	4,503	87	1 1 1

Projected Lumen Maintenance

Data shown for 5000 CCT			Compare to MH			
TM-21-11	Input Watts	Initial	25,000 Hrs	50,000 Hrs	100,000 Hrs	Calculated L70@ 25°C
L70 Lumen Maintenance @ 25°C / 77°F	52	1.00	0.98	0.96	0.91	347,000
TM-21-11	Input Watts	Initial	25,000 Hrs	50,000 Hrs	100,000 Hrs	Calculated L70@ 50°C
L70 Lumen Maintenance @ 50°C / 122°F	52	1.00	0.96	0.91	0.82	168,000
TM-21-11	Input Watts	Initial	25,000 Hrs	50,000 Hrs	100,000 Hrs	Calculated L80@ 40°C
L80 Lumen Maintenance @ 40°C / 104°F	52	1.00	0.97	0.94	0.88	160,000

NOTES:

1. Projected per IESNA TM-21-11. Data references the extrapolated performance projections for the 525mA base model in a 25°C ambient, based on 10,000 hours of LED testing per IESNA LM-80-08.
2. Compare to MH box indicates suggested Light Loss Factor (LLF) to be used when comparing to Metal Halide (MH) systems.