



WPA25Q **L70** **144,000 Hours**
 25°C
EasyLED Large Accord Semi-Cutoff Wall Pack

WPA25Q semi cutoff wall pack luminaire provides lower direct glare while increasing efficiency over full cutoff optics, and is designed to replace HID lighting systems from 250w to 400 MH or HPS. Typical wall mounted lighting applications include retail centers, industrial parks, schools and universities, public transit and airports, office buildings and medical facilities. Mounting heights of 18 to 30 feet can be used based on light level and uniformity requirements.

Specifications and Features:

Housing:

Die Cast Hinged and Gasketed Aluminum Front Frame and Housing with 1/2" Coin Plugs, Stainless Steel Hinge Pins, Safety Cable to Prevent Glass Impact During Installation, Nickel-Plated Stainless Steel Hardware.

Finish:

Textured Architectural Bronze Powdercoat Finish Over a Chromate Conversion Coating. Custom Colors Available Upon Request.

Lens:

Prismatic Borosilicate Glass Lens.

Mounting Options:

Cast-in Template for Mounting Directly Over a 4" Recessed Outlet Box, or Use 1/2" Surface Conduit. Includes Easy-Hang "Two Hands Free" Wall-Mounting Plate with Leveling Device on Back.

EasyLED LED:

Aluminum Boards

Wattage:

Array: 57.8w, System: 68.6w
 (400w HID Equivalent)

Driver:

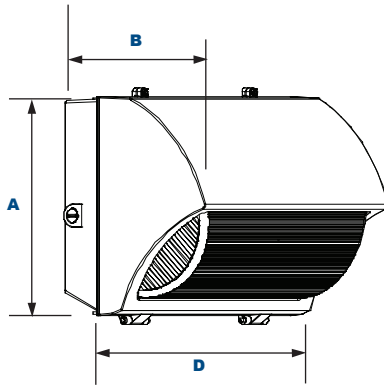
Electronic Driver, 120-277V, 50/60Hz or 347/480V, 50/60Hz; Dimmable Driver

Listing & Ratings:

CSA: Listed for Wet Locations.
 Operating Temperatures: -40°C to +40°C
 IP65

See Page 2 for Projected Lumen Maintenance Table.

5-Year Warranty.



Dimensions

Width (D)	16 1/2" (419mm)
Length (B)	10 1/2" (267mm)
Height (A)	13" (330mm)

Order Information Example:

WPA25QF1X58U5KZSP

WPA25Q	F	1X58		5K		
Model	Optics	Wattage	Ballast	CCT	Color	Options
WPA25Q=EasyLED Large Accord Semi-Cutoff Wall Pack	F=Type IV	1X58=58w	U=120-277V H=347/480V	5K=5000K	Z=Bronze C=Custom (Consult Factory)	SF=Single Fuse DF=Double Fuse SP=Surge Protection PC1=Photocell, 120VAC PC2=Photocell, 240-277VAC BU=Battery Backup, 90 Minutes

Project Information:

Project Name: _____ Fixture Type: _____
 Complete Catalog #: _____ Date: _____
 Comments: _____

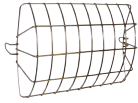
Certification & Listings:



Specifications subject to change without notice. Rev. 110716



Accessories & Replacement Parts:



WPA25WG

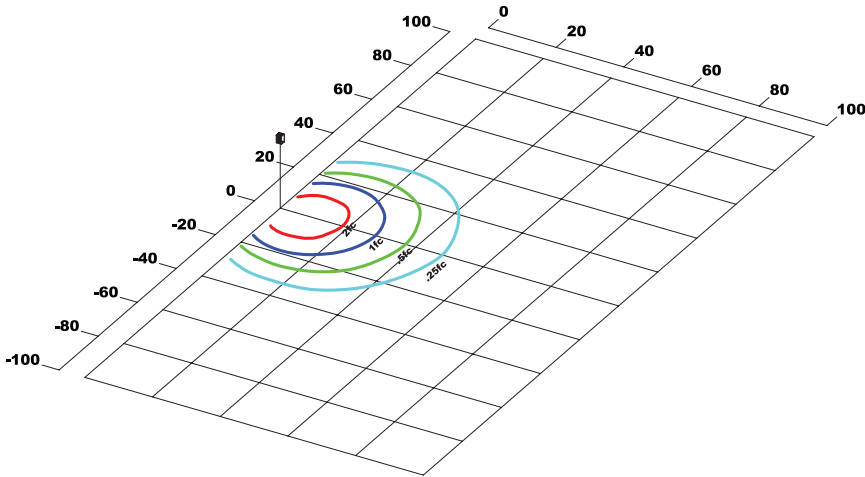


3EBL1202774500

Accessories (Order separately, Field installed)	
WPA25WG	Wire Guard, Stainless Steel Construction, Includes Hardware.

Replacement Parts (Order separately, Field installed)	
PC1	120VAC, Photocell
PC2	240-277VAC, Photocell
3EBL1202774500	Battery Backup, Provides 90 Minutes of Backup Power.

Photometric Data



WPA25QF1X58U5K
 Type IV
 Grid in MH
 MH=20 Feet

Photometric Performance

LED Board Watts	Drive Current (mA)	Input Watts	Optics	5000 CCT 80 CRI				
				Lumens	LPW	B	U	G
EasyLED 58w	116.5	69	Type IV	4,944	72	1	3	3

Projected Lumen Maintenance

Data shown for 5000 CCT			Compare to MH				
TM-21-11	Input Watts	Initial	25,000 Hrs	50,000 Hrs	100,000 Hrs	Calculated L70@ 25°C	
L70 Lumen Maintenance @ 25°C / 77°F	69	1.00	0.95	0.90	0.79	144,000	
TM-21-11	Input Watts	Initial	25,000 Hrs	50,000 Hrs	100,000 Hrs	Calculated L70@ 50°C	
L70 Lumen Maintenance @ 50°C / 122°F	69	1.00	0.91	0.83	0.66	87,000	
TM-21-11	Input Watts	Initial	25,000 Hrs	50,000 Hrs	100,000 Hrs	Calculated L70@ 50°C	
L80 Lumen Maintenance @ 40°C / 104°F	69	1.00	0.92	0.84	0.69	64,000	

NOTES:

1. Projected per IESNA TM-21-11. Data references the extrapolated performance projections for the 116.5mA base model in a 25°C ambient, based on 10,000 hours of LED testing per IESNA LM-80-08.
2. Compare to MH box indicates suggested Light Loss Factor (LLF) to be used when comparing to Metal Halide (MH) systems.