

EasyLED Series

EasyLED Bravo! Wall Pack



WPB40Q

Housing:

Die Cast Aluminum Back Housing with Cast-in Template for Mounting Over an Electrical Box, Color Matched Hinged Polycarbonate Front Housing with Clear Ribbed Lens Area, ½" Coin Plugs with O-rings for Conduit & Photocell, Textured Architectural Bronze Powdercoat Finish Over a Chromate Conversion Coating

Lens:

Standard Clear Polycarbonate Prismatic Lens

Mounting:

Mount Directly Over a 4" Recessed Outlet Box, or Use ½" Surface Conduit or Quick-Mount Bracket.

LumaFit LED:

Array Lumens: 4,438

Delivered Lumens: 3,114

CRI: 85

CCT: 5000K

Rated Life: 50,000 Hours

5-Year Warranty

Aluminum Boards

Wattage:

Array: 33.3w, System: 36.6w

Driver:

Electronic Driver, 120-277V, 50/60Hz or

347/480V, 50/60Hz;

Dimmable Driver

Listing & Ratings:

CSA: Listed for Wet Locations. IP65

Operating Temperatures: -40°C to +40°C

EasyLED Bravo! Wall Pack

Catalog #

Description

Complete Units

Ordering Information

Example: WPB40QF1X33U5KZSF

WPB40	Model:	WPB40Q
Q	LED Mfr:	Q=QSSI
F	Optics:	F=Medium Beam Spread
1X	Number of Arrays:	1X=One
33	Wattage:	33=33w
U	Ballast:	U=120-277V, H=347/480V
5K	CCT:	5K=5000K
Z	Color:	Z=Bronze
-	Mounting:	N/A
SF	Options:	SF=Single Fuse, DF=Double Fuse

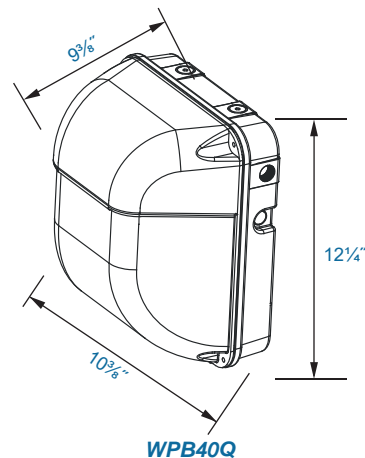
KELSEY-KANE LIGHTING MFG. CO.

Voice & Text: 954-772-3187

E-Mail: info@kelsey-kane.com

Website: www.kelsey-kane.com

DIMENSIONS



WPB40Q