

Wall Pack Series

Constellation Mini Full Cutoff Wall Pack



WPC10

Housing:

Die Cast Aluminum Rear Housing, 1/2" Coin Plugs with O-rings for Conduit & Photocell, Textured Architectural Bronze Powdercoat Finish Over a Chromate Conversion Coating

Reflector:

Aluminum Reflector

Lens:

Hinged One-Piece Polycarbonate Front Housing, Color Matched to Back Housing with Clear Lens

Socket:

HID: Porcelain 4KV Pulse Rated Medium Base Socket with Nickel Plated Screw Shell

PL: Plug-In Type, GX24Q-4

Mounting:

Cast-in Template for Mounting Directly Over a 4" Recessed Outlet Box, or Use 1/2" Surface Conduit.

Wattage:

High Pressure Sodium: 35 to 100w

Metal Halide: 50 to 100w

Compact Fluorescent: 1 x 26 to 42w

Listing & Ratings:

CSA: Listed for Wet Locations

Add: P18110 120V Pencil Photocell

(Field Installed)

P18112 208-277V Pencil Photocell

(Field Installed)

P18120 120V Swivel Photocell

(Field Installed)

P18122 208-277V Swivel Photocell

(Field Installed)

Other Wattages Available Upon Request.

KELSEY-KANE LIGHTING MFG. CO.

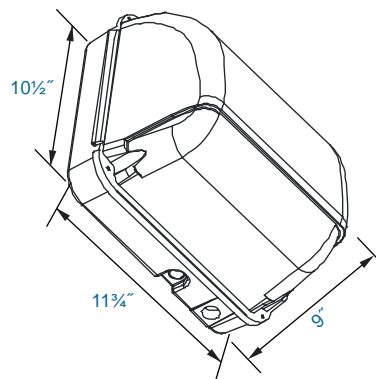
Voice & Text: 954-772-3187

E-Mail: info@kelsey-kane.com

Website: www.kelsey-kane.com

Kit(s)	Description			
Catalog #	Description			
WPC10	Constellation Mini Full Cutoff Wall Pack, HID Kit			
WPC10F	Constellation Mini Full Cutoff Wall Pack, Single Fluorescent Kit			
Complete Units (Lamp Included)				
Catalog #	Wattage	Voltage	Lamp	Ballast
WPC10H35R120L	35	120	HPS	R-NPF
WPC10H50R120L	50	120	HPS	R-NPF
WPC10H70R120L	70	120	HPS	R-NPF
WPC10H100R120L	100	120	HPS	R-NPF
WPC10H50DL	50	120/277	HPS	HX-HPF
WPC10H70QL	70	Quad	HPS	HX-HPF
WPC10H100QL	100	Quad	HPS	HX-HPF
WPC10M50DL	50	120/277	MH	HX-HPF
WPC10M70QL	70	Quad	MH	HX-HPF
WPC10M100QL	100	Quad	MH	HX-HPF
WPC10F26EL	1 x 26	120-277	PL	Electronic
WPC10F32EL	1 x 32	120-277	PL	Electronic
WPC10F42EL	1 x 42	120-277	PL	Electronic

DIMENSIONS



WPC10