



KELSEY-KANE LIGHTING MANUFACTURING COMPANY

"Serving Lighting Professionals Since 1978"

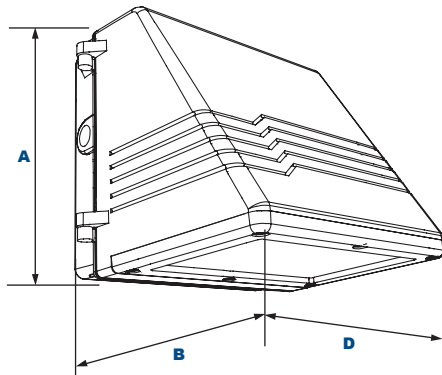
EasyLED Technology

WPC12Q

L70
25°C

196,000 Hours

EasyLED Constellation Small Full Cutoff Wall Pack



Dimensions

Width (D)	8¾" (222mm)
Length (B)	9½" (241mm)
Height (A)	8¾" (219mm)

WPC12Q cutoff wall pack luminaire is available with a choice of optical distributions designed to replace HID lighting systems up to 175w MH or HPS. Typical wall mounted lighting applications include retail centers, industrial parks, schools and universities, public transit and airports, office buildings and medical facilities. Mounting heights of 8 to 15 feet can be used based on light level and uniformity requirements.

Specifications and Features:

Housing:

Die Cast Hinged and Gasketed Aluminum Front Frame and Housing with ½" Coin Plugs. Nickel-Plated Stainless Steel Hardware. Photocell Adaptable.

Finish:

Textured Architectural Bronze Powdercoat Finish Over a Chromate Conversion Coating. Custom Colors Available Upon Request.

Lens:

Clear Flat Glass Lens or Clear Flat Prismatic Glass Lens.

Mounting Options:

Cast-in Template for Mounting Directly Over a 4" Recessed Outlet Box, or Use ½" Surface Conduit.

EasyLED LED:

Aluminum Boards

Wattage:

Array: 21.7w, System: 25w
(175w HID Equivalent)

Driver:

Electronic Driver, 120-277V, 50/60Hz or 347/480V, 50/60Hz; Dimmable Driver

Listing & Ratings:

CSA: Listed for Wet Locations.
Operating Temperatures: -40°C to +40°C
IP55

LM-79 Report Available on Select Models.

See Page 2 for Projected Lumen Maintenance Table.

5-Year Warranty.

Order Information Example:

WPC12QC1X22U5KCZSP

WPC12Q		1X22					
Model	Optics	Wattage	Ballast	CCT	Lens	Color	Options
WPC12Q=EasyLED Constellation Small Full Cutoff Wall Pack	C=Type III F=Type V	1X22=22w	U=120-277V H=347/480V	4K=4000K* 5K=5000K *4K for F Optics only.	C=Clear Flat Glass Lens P=Clear Flat Prismatic Glass Lens*	Z=Bronze C=Custom (Consult Factory)	SF=Single Fuse DF=Double Fuse SP=Surge Protection P10=Pencil Photocell, 120VAC P12=Pencil Photocell, 208-277VAC P20=Swivel Photocell, 120VAC P22=Swivel Photocell, 208-277VAC BU=Battery Backup, 90 Minutes

Project Information:

Project Name: _____ Fixture Type: _____

Complete Catalog #: _____ Date: _____

Comments: _____

Certification & Listings:



DesignLights Consortium™
Qualified Luminares:
WPC12QF1X22U5KC**



Specifications subject to change without notice. Rev. 110716



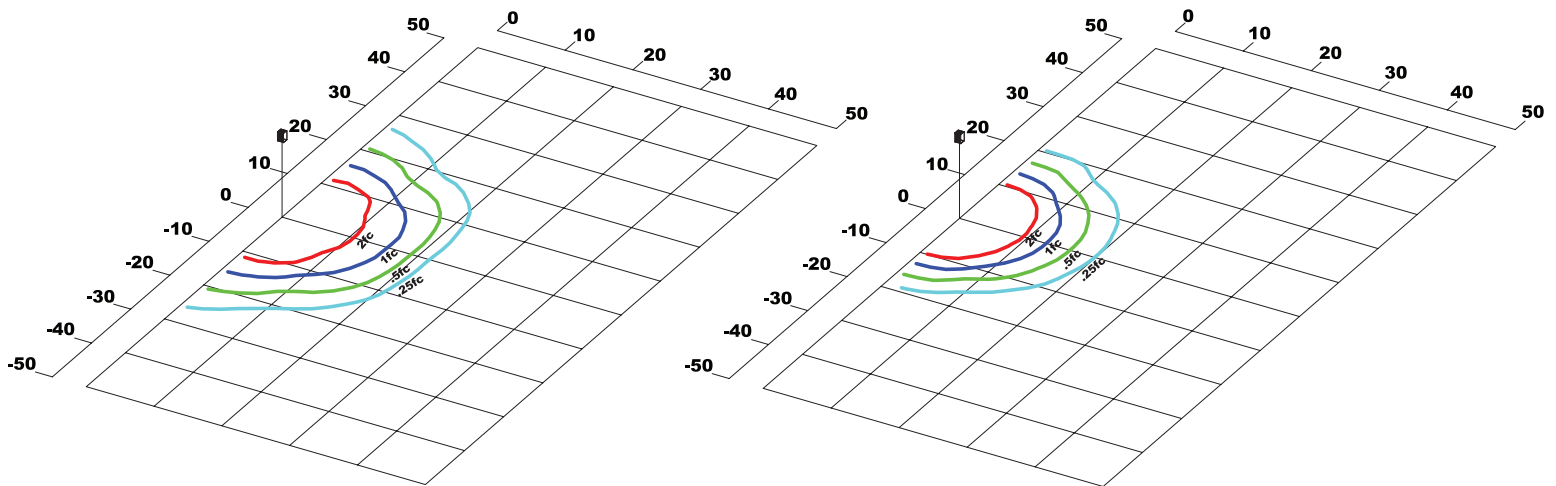
Accessories & Replacement Parts:



Replacement Parts
(Order separately, Field installed)

P18110	110-130V, 120VAC Pencil Photocell
P18112	208-277V, 240VAC Pencil Photocell
P18120	110-130V, 120VAC Swivel Photocell
P18122	208-277V, 240VAC Swivel Photocell
3EBL120277	Battery Backup, Provides 90 Minutes of Backup Power.

Photometric Data



WPC12QC1X22U5KC
Type III
 Grid in MH
 MH=10 Feet

WPC12QF1X22U5KC
Type V
 Grid in MH
 MH=10 Feet

Photometric Performance

LED Board Watts	Drive Current (mA)	Input Watts	Optics	5000 CCT 80 CRI			4000 CCT 80 CRI						
				Lumens	LPW	B	U	G	Lumens	LPW	B	U	G
EasyLED 22w	525	25	Type III	2,005	80	1	2	1	-	-	-	-	-
			Type V	2,251	90	1	2	0	2,161	86	1	2	0

Projected Lumen Maintenance

Data shown for 5000 CCT			Compare to MH				
TM-21-11	Input Watts	Initial	25,000 Hrs	50,000 Hrs	100,000 Hrs	Calculated L70@ 25°C	
L70 Lumen Maintenance @ 25°C / 77°F	25	1.00	0.96	0.92	0.85	196,000	
TM-21-11	Input Watts	Initial	25,000 Hrs	50,000 Hrs	100,000 Hrs	Calculated L70@ 50°C	
L70 Lumen Maintenance @ 50°C / 122°F	25	1.00	0.93	0.86	0.73	110,000	
TM-21-11	Input Watts	Initial	25,000 Hrs	50,000 Hrs	100,000 Hrs	Calculated L70@ 50°C	
L80 Lumen Maintenance @ 40°C / 104°F	25	1.00	0.94	0.88	0.76	84,000	

NOTES:

1. Projected per IESNA TM-21-11. Data references the extrapolated performance projections for the 525mA base model in a 25°C ambient, based on 10,000 hours of LED testing per IESNA LM-80-08.
2. Compare to MH box indicates suggested Light Loss Factor (LLF) to be used when comparing to Metal Halide (MH) systems.