

## Wall Pack Series

### Constellation Medium Full Cutoff Wall Pack



**WPC15**

**Housing:**

Die Cast Aluminum Housing & Hinged Full Cutoff Front Frame, 1/2" Coin Plugs with O-rings for Conduit & Photocell, Textured Architectural Bronze Powdercoat Finish Over a Chromate Conversion Coating

**Reflector:**

Aluminum Reflector

**Lens:**

Tempered Flat Clear Glass Lens

**Socket:**

HID: Porcelain 4KV Pulse Rated Medium Base

Socket with Nickel Plated Screw Shell

PL: Plug-In Type, GX24Q-4

**Mounting:**

Cast-in Template for Mounting Directly Over a 4" Recessed Outlet Box, or Use 1/2" Surface Conduit.

**Wattage:**

High Pressure Sodium: 35 to 150w

Metal Halide: 70 to 100w

Pulse Start: 150w

Compact Fluorescent: 1 x 26 to 42w,

2 x 26 to 42w

**Listing & Ratings:**

CSA: Listed for Wet Locations

Meets Dark Sky Requirements

**Add:** PC1 120V Photocell (Field Installed)

PC2 240-277V Photocell (Field Installed)

Battery Backup Available (Sold Separately)

Other Wattages & Custom Colors Available

Upon Request.

**KELSEY-KANE LIGHTING MFG. CO.**

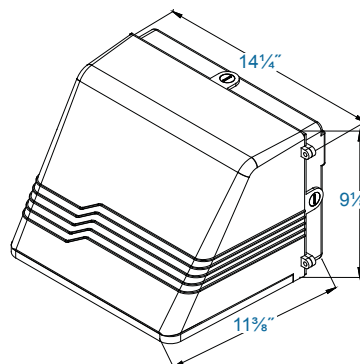
Voice & Text: 854-772-3187

E-Mail: [info@kelsey-kane.com](mailto:info@kelsey-kane.com)

Website: [www.kelsey-kane.com](http://www.kelsey-kane.com)

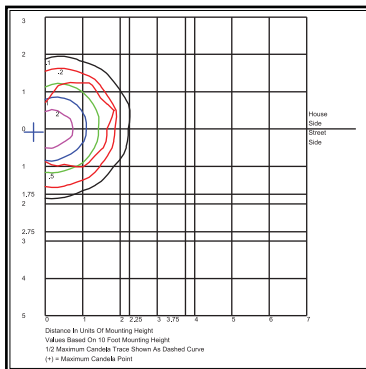
Kit(s)				
Catalog #	Description			
WPC15	Constellation Medium Full Cutoff, HID Kit			
WPC15F1	Constellation Medium Full Cutoff, Single PL Kit			
WPC15F2	Constellation Medium Full Cutoff, Twin Fluorescent Kit			
Complete Units (Lamp Included)				
Catalog #	Wattage	Voltage	Lamp	Ballast
WPC15H35R120L	35	120	HPS	R-NPF
WPC15H50R120L	50	120	HPS	R-NPF
WPC15H70R120L	70	120	HPS	R-NPF
WPC15H100R120L	100	120	HPS	R-NPF
WPC15H150R120L	150	120	HPS	R-NPF
WPC15H50DL	50	120/277	HPS	HX-HPF
WPC15H70QL	70	Quad	HPS	HX-HPF
WPC15H100QL	100	Quad	HPS	HX-HPF
WPC15H150QL	150	Quad	HPS	HX-HPF
WPC15M70QL	70	Quad	MH	HX-HPF
WPC15M100QL	100	Quad	MH	HX-HPF
WPC15P150QL	150	Quad	PS	HX-HPF
WPC15F26EL	1 x 26	120-277	PL	Electronic
WPC15F32EL	1 x 32	120-277	PL	Electronic
WPC15F42EL	1 x 42	120-277	PL	Electronic
WPC15F52EL	2 x 26	120-277	PL	Electronic
WPC15F64EL	2 x 32	120-277	PL	Electronic
WPC15F84EL	2 x 42	120-277	PL	Electronic

**DIMENSIONS**

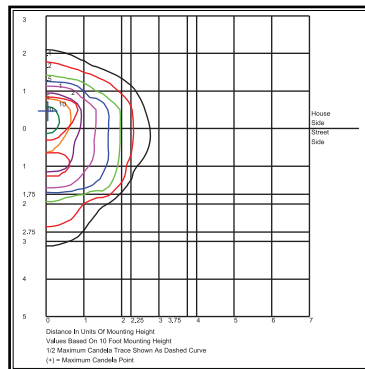


**WPC15**

Catalog #	Description
WPC15GLC	Clear Flat Glass Lens
WPC15GLE	Etched Flat Glass Lens
WPC15GLP	Prismatic Flat Glass Lens
WPC15LG	Clear Polycarbonate Vandal Resistant Guard
WPC15WG	Wire Guard, Stainless Steel Construction
WPC15Y	Adjustable Yoke, Allows 40° Vertical Swivel, Includes Hardware
3EB120277	Battery Backup Pack, 120-277V



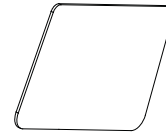
**WPC15F84EL**



**WPC15P150**

**Wall Pack Series**

**Constellation Medium Full Cutoff Wall Pack**



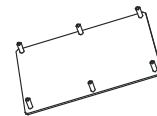
**WPC15GLC**



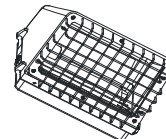
**WPC15GLE**



**WPC15GLP**



**WPC15LG**



**WPC15WG  
(Shown Mounted)**



**WPC15Y  
(Shown Mounted)**



**3EB120277**

**KELSEY-KANE LIGHTING MFG. CO.**  
 Voice & Text: 954-772-3187  
 E-Mail: [info@kelsey-kane.com](mailto:info@kelsey-kane.com)  
 Website: [www.kelsey-kane.com](http://www.kelsey-kane.com)