



KELSEY-KANE LIGHTING MANUFACTURING COMPANY

"Serving Lighting Professionals Since 1978"

WPC15Q

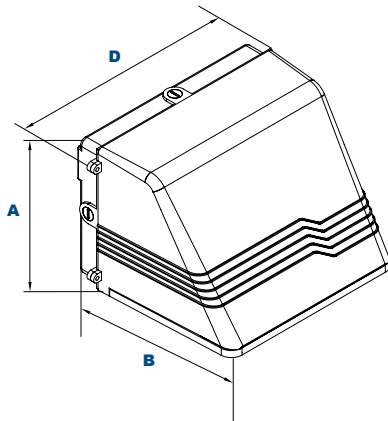
L70
25°C

213,000 Hours

AmberLED Constellation Medium Full Cutoff Wall Pack



BUY AMERICAN
ACT COMPLIANT



Dimensions

Width (D)	14 1/4" (362mm)
Length (B)	11 1/8" (289mm)
Height (A)	9 1/8" (232mm)

AmberLED Technology

The AmberLED WPC15Q cut-off wall pack luminaire is available in an IES Type V distribution designed to replace HID lighting systems 175w to 250 MH or HPS for wildlife or security applications requiring monochromatic AMBER light. LEDs operate between 585 and 595 nm, greater than 560nm required for wildlife protection. Typical wall mounted lighting applications include retail centers, industrial parks, schools and universities, office buildings and medical facilities. Mounting heights of 12 to 18 feet can be used based on light level and uniformity requirements.

Specifications and Features:

Housing:

Die Cast Hinged and Gasketed Aluminum Front Frame and Housing with 1/2" Coin Plugs. Nickel-Plated Stainless Steel Hardware. Photocell Adaptable.

Listing & Ratings:

CSA: Listed for Wet Locations, ANSI/UL 1598, 8750; IP65 Sealed LED Compartment.

Finish:

Textured Architectural Bronze Powdercoat Finish Over a Chromate Conversion Coating. Custom Colors Available Upon Request.

Lens:

Tempered Clear Flat Glass Lens or Tempered Clear Flat Prismatic Glass Lens.

Mounting Options:

Cast-in Template for Mounting Directly Over a 4" Recessed Outlet Box, or Use 1/2" Surface Conduit.

AmberLED:

Aluminum Boards

Wattage:

Array: 37w, System: 40w; (250w HID Equivalent)

Driver:

Electronic Driver, 120-277V, 50/60Hz; Less Than 20% THD and PF>0.90. Standard Internal Surge Protection 6KV. 0-10V Dimming Standard for a Dimming Range of 100% to 10%; Dimming Source Current is 150 Microamps.

Controls:

Fixtures Ordered with Factory-Installed Photocell or Motion Sensor Controls are Internally Wired for Switching and/or 1-10V Dimming Within the Housing. Remote Direct Wired Interface of 1-10V Dimming is Not Implied and May Not Be Available, Please Consult Factory. Fixtures are Tested with LEPG Controls and May Not Function Properly With Controls Supplied By Others. Fixtures are NOT Designed for Use with Line Voltage Dimmers.

Warranty:

5-Year Warranty for -40°C to +40°C Environment.

See Page 2 for Projected Lumen Maintenance Table.

AmberLED

Order Information Example:

WPC15QF1X37UAMCZSP

WPC15Q	F	1X37	U	AM			
Model	Optics	Wattage	Driver	CCT	Lens	Color	Options
WPC15Q= AmberLED Constellation Medium Full Cutoff Wall Pack	F=Type V	1X37=37w	U=120-277V	AM=Amber	C=Clear Flat Glass Lens, P=Clear Flat Prismatic Glass Lens	Z=Bronze, C=Custom (Consult Factory)	SF=Single Fuse*, DF=Double Fuse*, SP=Surge Protection, PC3=Photocell, 120-277VAC, BU=Battery Backup, 90 Minutes* *120-277V Models Only.

Project Information:

Project Name: _____ Fixture Type: _____

Complete Catalog #: _____ Date: _____

Comments: _____

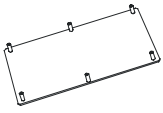
Certification & Listings:



Specifications subject to change without notice. Rev. 111920



Accessories & Replacement Parts:



WPC15LG



WPC15WG



WPC15BFZ*



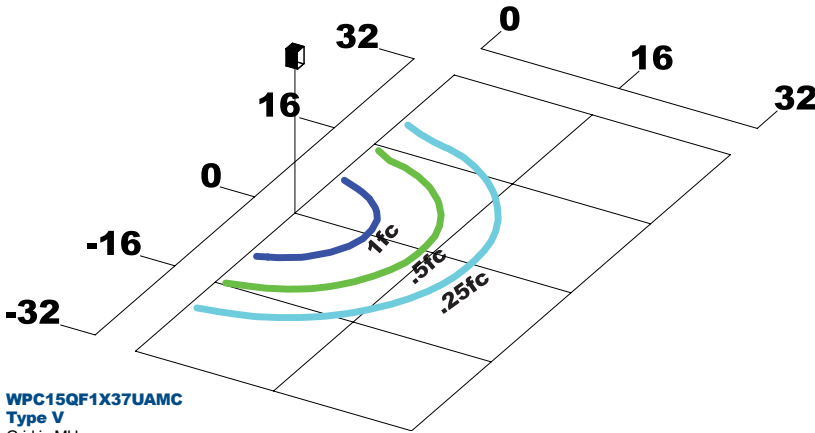
P18103

*Shown Mounted

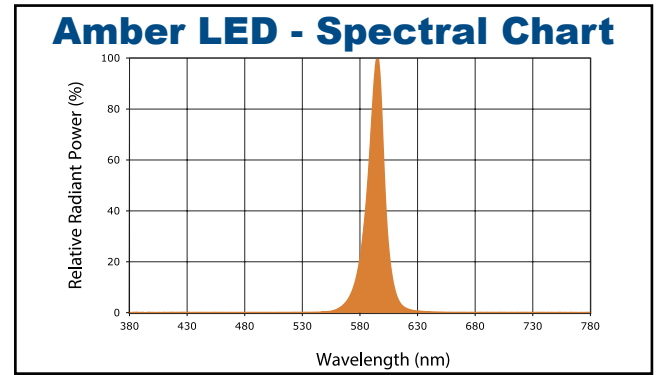
Accessories (Order Separately, Field Installed)	
WPC15LG	Clear UV-Stabilized Polycarbonate Vandal Resistant Guard, Includes Hardware.
WPC15WG	Wire Guard, Stainless Steel Construction, Includes Hardware.
WPC15BFZ	Baffle, Aluminum with Bronze Powdercoat Finish

Replacement Parts (Order Separately, Field Installed)	
WPC15GLC	Tempered Clear Flat Glass Lens.
WPC15GLP	Tempered Prismatic Flat Glass Lens.
P18103	120-277VAC Photocell
For Replacement Battery Backup, see the LEPG LED Battery Backup Specification Sheet.	

Photometric Data



WPC15QF1X37UAMC
 Type V
 Grid in MH
 MH=16 Feet



Photometric Performance

LED Board Watts	Drive Current (mA)	Input Watts	Optics	Amber LEDs				
				Lumens	LPW	B	U	G
AmberLED 37w	525	40	Type V	1,279	32	1	1	0

Projected Lumen Maintenance

Data shown for Amber LEDs			Compare to MH				
TM-21-11	Input Watts	Initial	25,000 Hrs	50,000 Hrs	100,000 Hrs	Calculated L70@ 25°C	
L70 Lumen Maintenance @ 25°C / 77°F	40	1.00	0.96	0.93	0.86	213,000	
TM-21-11	Input Watts	Initial	25,000 Hrs	50,000 Hrs	100,000 Hrs	Calculated L70@ 50°C	
L70 Lumen Maintenance @ 50°C / 122°F	40	1.00	0.93	0.87	0.73	113,000	
TM-21-11	Input Watts	Initial	25,000 Hrs	50,000 Hrs	100,000 Hrs	Calculated L80@ 40°C	
L80 Lumen Maintenance @ 40°C / 104°F	40	1.00	0.95	0.89	0.78	91,000	

NOTES:

1. Projected per IESNA TM-21-11. Data references the extrapolated performance projections for the 525mA base model in a 25°C ambient, based on 10,000 hours of LED testing per IESNA LM-80-08.
2. Compare to MH box indicates suggested Light Loss Factor (LLF) to be used when comparing to Metal Halide (MH) systems.