

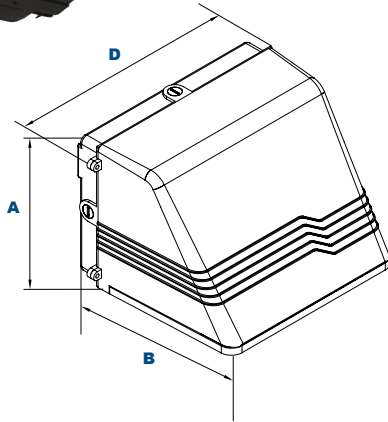


WPC15Q

L70
25°C

213,000 Hours

EasyLED Constellation Medium Full Cutoff Wall Pack



Dimensions

Width (D)	14¼" (362mm)
Length (B)	11⅝" (289mm)
Height (A)	9⅞" (232mm)

Order Information Example:

WPC15QC1X37U5KCZSP

WPC15Q		1X37	U				
Model	Optics	Wattage	Driver	CCT	Lens	Color	Options

WPC15Q=EasyLED Constellation Medium Full Cutoff Wall Pack

C=Type III
F=Type V

1X37=37w

U=120-277V

4K=4000K
5K=5000K

C=Clear Flat Glass Lens,
P=Clear Flat Prismatic Glass Lens*

*Use with F Optic Only.

Z=Bronze
C=Custom
(Consult Factory)

SF=Single Fuse
DF=Double Fuse
SP=Surge Protection
PC1=Photocell, 120VAC
PC2=Photocell, 250-305VAC
BU=Battery Backup, 90 Minutes

Project Information:

Project Name: _____ Fixture Type: _____

Complete Catalog #: _____ Date: _____

Comments: _____

Certification & Listings:



DesignLights Consortium™
 Qualified Luminares:
 WPC15QC1X37U5KC**
 WPC15QF1X37U5KC**



WPC15Q cutoff wall pack luminaire is available with a choice of optical distributions designed to replace HID lighting systems 175w to 250 MH or HPS. Typical wall mounted lighting applications include retail centers, industrial parks, schools and universities, public transit and airports, office buildings and medical facilities. Mounting heights of 12 to 18 feet can be used based on light level and uniformity requirements.

Specifications and Features:

Housing:

Die Cast Hinged and Gasketed Aluminum Front Frame and Housing with ½" Coin Plugs. Nickel-Plated Stainless Steel Hardware. Photocell Adaptable.

Listing & Ratings:

CSA: Listed for Wet Locations, ANSI/UL 1598, 8750
 IP55 Sealed LED Compartment.

Finish:

Textured Architectural Bronze Powdercoat Finish Over a Chromate Conversion Coating. Custom Colors Available Upon Request.

Lens:

Tempered Clear Flat Glass Lens or Tempered Clear Flat Prismatic Glass Lens.

Mounting Options:

Cast-in Template for Mounting Directly Over a 4" Recessed Outlet Box, or Use ½" Surface Conduit.

EasyLED LED:

Aluminum Boards

Wattage:

Array: 37.2w, System: 43w
 (250w HID Equivalent)

Driver:

Electronic Driver, 120-277V, 50/60Hz; Dimmable Driver

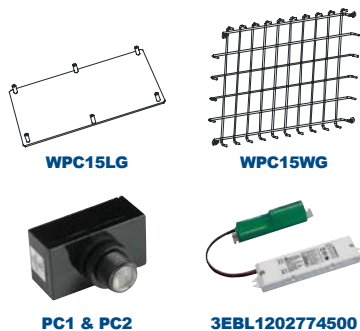
Warranty:

5-Year Warranty for -40°C to +40°C Environment.

LM-79 Report Available on Select Models.

See Page 2 for Projected Lumen Maintenance Table.

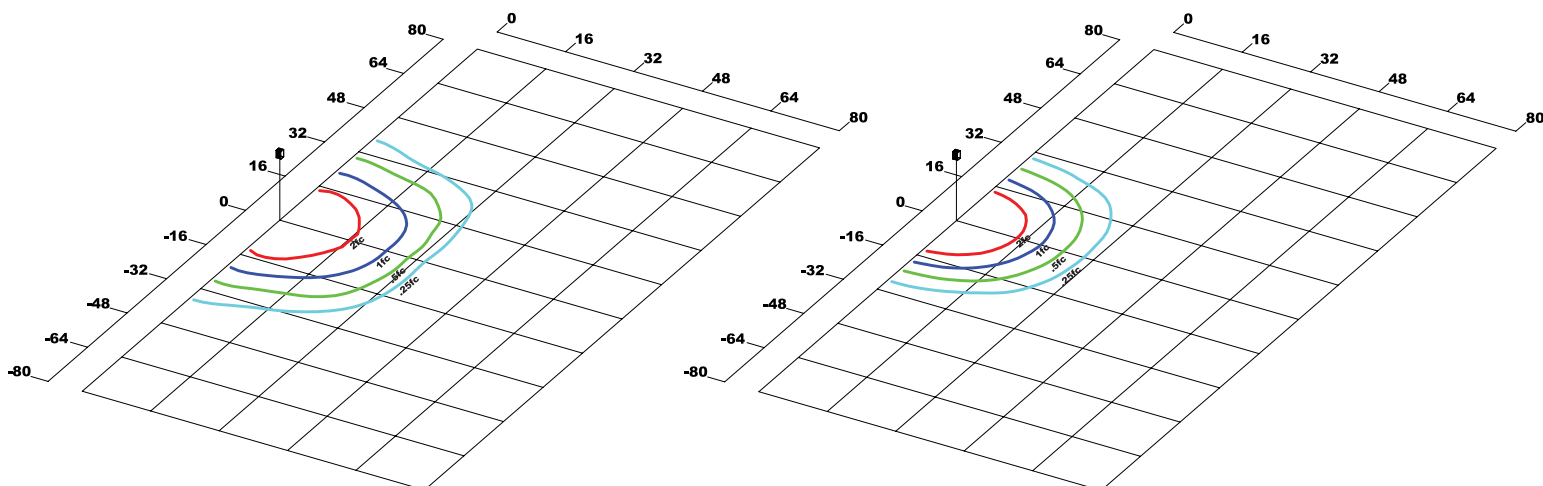
Accessories & Replacement Parts:



Accessories (Order separately, Field installed)	
WPC15LG	Clear Polycarbonate Vandal Resistant Guard, Includes Hardware.
WPC15WG	Wire Guard, Stainless Steel Construction, Includes Hardware.

Replacement Parts (Order separately, Field installed)	
WPC15GLC	Tempered Clear Flat Glass Lens.
WPC15GLP	Tempered Prismatic Flat Glass Lens.
PC1	120VAC, Photocell
PC2	250-305VAC, Photocell
3EBL1202774500	Battery Backup, Provides 90 Minutes of Backup Power.

Photometric Data



WPC15QC1X37U5KC
 Type III
 Grid in MH
 MH=16 Feet

WPC15QF1X37U5KC
 Type V
 Grid in MH
 MH=16 Feet

Photometric Performance

LED Board Watts	Drive Current (mA)	Input Watts	Optics	5000 CCT 80 CRI					4000 CCT 80 CRI				
				Lumens	LPW	B	U	G	Lumens	LPW	B	U	G
EasyLED 37w	525	43	Type III	3,959	92	1	2	1	3,801	88	1	2	1
			Type V	4,148	97	2	2	0	3,982	93	2	2	0

Projected Lumen Maintenance

Data shown for 5000 CCT			Compare to MH				
TM-21-11	Input Watts	Initial	25,000 Hrs	50,000 Hrs	100,000 Hrs	Calculated L70@ 25°C	
L70 Lumen Maintenance @ 25°C / 77°F	43	1.00	0.96	0.93	0.86	213,000	
TM-21-11	Input Watts	Initial	25,000 Hrs	50,000 Hrs	100,000 Hrs	Calculated L70@ 50°C	
L70 Lumen Maintenance @ 50°C / 122°F	43	1.00	0.93	0.87	0.73	113,000	
TM-21-11	Input Watts	Initial	25,000 Hrs	50,000 Hrs	100,000 Hrs	Calculated L80@ 40°C	
L80 Lumen Maintenance @ 40°C / 104°F	43	1.00	0.95	0.89	0.78	91,000	

NOTES:

1. Projected per IESNA TM-21-11. Data references the extrapolated performance projections for the 525mA base model in a 25°C ambient, based on 10,000 hours of LED testing per IESNA LM-80-08.
2. Compare to MH box indicates suggested Light Loss Factor (LLF) to be used when comparing to Metal Halide (MH) systems.