

## Wall Pack Series

### Constellation Large Shallow Full Cutoff Wall Pack



**WPC20**

**Housing:**

Die Cast Aluminum Housing & Hinged Full Cutoff Front Frame, 1/2" Coin Plugs with O-rings for Conduit & Photocell, Textured Architectural Bronze Powdercoat Finish Over a Chromate Conversion Coating

**Reflector:**

Aluminum Reflector

**Lens:**

Tempered Flat Clear Glass Lens

**Socket:**

Porcelain 5KV Pulse Rated Mogul Base with Nickel Plated Screw Shell

**Mounting:**

Cast-in Template for Mounting Directly Over a 4" Recessed Outlet Box, or Use 1/2" Surface Conduit.

**Wattage:**

High Pressure Sodium: 100 to 250w

Metal Halide: 100w

Pulse Start: 150 to 250w

**Listing & Ratings:**

CSA: Listed for Wet Locations

Meets Dark Sky Requirements

**Add:** PC1 120V Photocell (Field Installed)

PC2 240-277V Photocell (Field Installed)

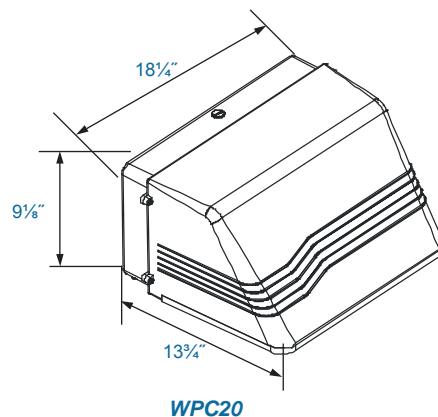
QRS Quartz Restrike Module

Other Wattages & Custom Colors Available Upon Request.

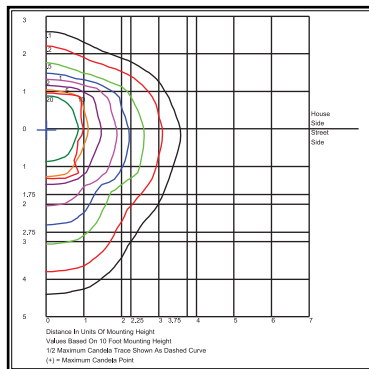
Kit(s)	Description			
Catalog #	Description			
WPC20	Constellation Large Shallow Full Cutoff, HID Kit			
Complete Units (Lamp Included)				
Catalog #	Wattage	Voltage	Lamp	Ballast
WPC20H100QMGL	100	Quad	HPS	HX-HPF
WPC20H150QMGL	150	Quad	HPS	HX-HPF
WPC20H250QL	250	Quad	HPS	CWA
WPC20M100QMGL	100	Quad	MH	HX-HPF
WPC20P150QMGL	150	Quad	PS	HX-HPF
WPC20P250QL <sup>ⓔ</sup>	250	Quad	PS	CWA

**KELSEY-KANE LIGHTING MFG. CO.**  
 Voice & Text: 954-772-3187  
 E-Mail: [info@kelsey-kane.com](mailto:info@kelsey-kane.com)  
 Website: [www.kelsey-kane.com](http://www.kelsey-kane.com)

**DIMENSIONS**



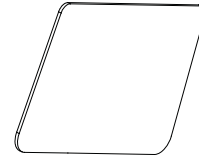
Catalog #	Description
WPC25GLC	Clear Flat Glass Lens
WPC25GLE	Etched Flat Glass Lens
WPC25GLP	Prismatic Flat Glass Lens
WPC25LG	Clear Polycarbonate Vandal Resistant Guard
WPC25WG	Wire Guard, Stainless Steel Construction



**WPC20M400**

**Wall Pack Series**

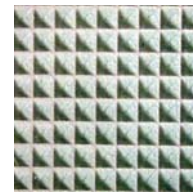
**Constellation Large Shallow Full Cutoff Wall Pack**



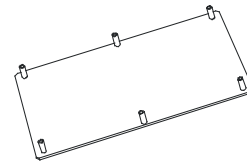
**WPC25GLC**



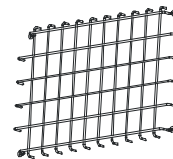
**WPC25GLE**



**WPC25GLP**



**WPC25LG**



**WPC25WG**

**KELSEY-KANE LIGHTING MFG. CO.**  
 Voice & Text: 954-772-3187  
 E-Mail: [info@kelsey-kane.com](mailto:info@kelsey-kane.com)  
 Website: [www.kelsey-kane.com](http://www.kelsey-kane.com)