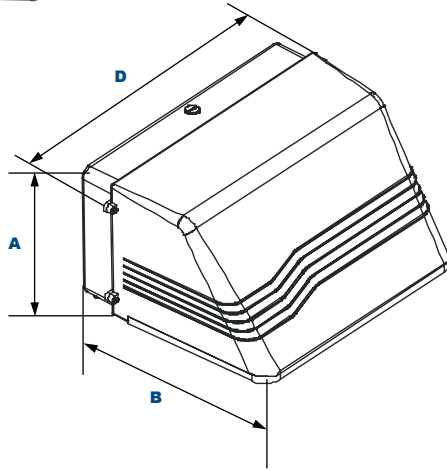




KELSEY-KANE LIGHTING
MANUFACTURING COMPANY
 "Serving Lighting Professionals Since 1978"

EasyLED Technology

WPC20Q **L70** **201,000 Hours**
EasyLED Constellation Large Full Cutoff Wall Pack



Dimensions

Width (D)	18 1/4" (464mm)
Length (B)	13 3/4" (349mm)
Height (A)	9 1/4" (232mm)

The WPC20Q cutoff wall pack luminaire is available with a choice of optical distributions designed to replace HID lighting systems 250w to 400 MH or HPS. Typical wall mounted lighting applications include retail centers, industrial parks, schools and universities, public transit and airports, office buildings and medical facilities. Mounting heights of 18 to 30 feet can be used based on light level and uniformity requirements.

Specifications and Features:

Housing:

Die Cast Hinged and Gasketed Aluminum Front Frame and Housing with 1/2" Coin Plugs. Nickel-Plated Stainless Steel Hardware. Photocell Adaptable.

Listing & Ratings:

CSA: Listed for Wet Locations, ANSI/UL 1598, 8750; IP65 Sealed LED Compartment.

Finish:

Textured Architectural Bronze Powdercoat Finish Over a Chromate Conversion Coating. Custom Colors Available Upon Request.

Lens:

Tempered Clear Flat Glass Lens or Tempered Clear Flat Prismatic Glass Lens.

Mounting Options:

Cast-in Template for Mounting Directly Over a 4" Recessed Outlet Box, or Use 1/2" Surface Conduit.

EasyLED LED:

Aluminum Boards

Wattage:

Array: 55.8w, System: 63w; (400w HID Equivalent)

Driver:

Electronic Driver, 120-277V, 50/60Hz or 347-480V, 50/60Hz; Less Than 20% THD and PF>0.90. Standard Internal Surge Protection 6kV. 0-10V Dimming Standard for a Dimming Range of 100% to 10%; Dimming Source Current is 150 Microamps.

Controls:

Fixtures Ordered with Factory-Installed Photocell or Motion Sensor Controls are Internally Wired for Switching and/or 1-10V Dimming Within the Housing. Remote Direct Wired Interface of 1-10V Dimming is Not Implied and May Not Be Available, Please Consult Factory. Fixtures are Tested with LEPC Controls and May Not Function Properly With Controls Supplied By Others. Fixtures are NOT Designed for Use with Line Voltage Dimmers.

Warranty:

5-Year Warranty for -40°C to +40°C Environment.

See Page 2 for Projected Lumen Maintenance Table.

Order Information Example:

WPC20QC1X56U5KCZSP

WPC20Q		1X56					
Model	Optics	Wattage	Driver	CCT	Lens	Color	Options
WPC20Q=EasyLED Constellation Large Full Cutoff Wall Pack	C=Type III F=Type V	1X56=56w	U=120-277V H=347-480V	4K=4000K 5K=5000K	C=Clear Flat Glass Lens, P=Clear Flat Prismatic Glass Lens* *Use with F Optic Only.	Z=Bronze C=Custom (Consult Factory)	SF=Single Fuse DF=Double Fuse SP=Surge Protection PC1=Photocell, 120VAC PC3=Photocell, 120-277VAC S2=Microwave Sensor with Dimming for Mounting Heights of 8 to 40' (120-277V Only) BU=Battery Backup

Project Information:

Project Name: _____ Fixture Type: _____
 Complete Catalog #: _____ Date: _____
 Comments: _____

Certification & Listings:



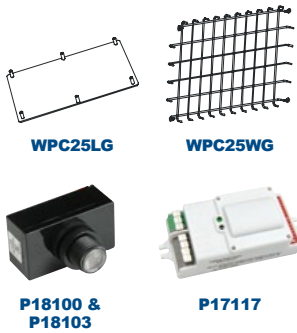
DesignLights Consortium™
 Qualified Luminaires:
 WPC20QC1X56[U H]5KC**
 WPC20QF1X56[U H]5KC**



Specifications subject to change without notice. Rev. 010919



Accessories & Replacement Parts:

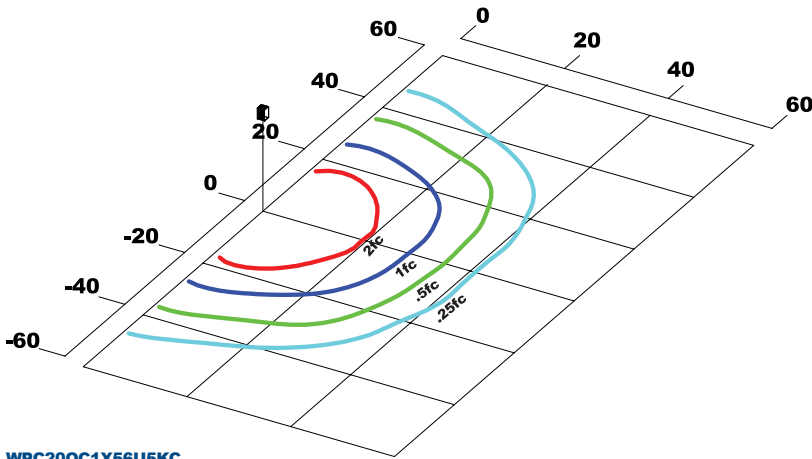


Accessories (Order Separately, Field Installed)	
WPC25LG	Clear Polycarbonate Vandal Resistant Guard, Includes Hardware.
WPC25WG	Wire Guard, Stainless Steel Construction, Includes Hardware.

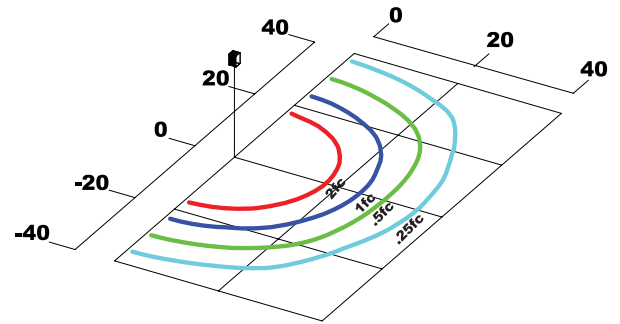
Replacement Parts (Order Separately, Field Installed)	
WPC25GLC	Tempered Clear Flat Glass Lens.
WPC25GLP	Tempered Prismatic Flat Glass Lens.
P18100	120VAC, Photocell
P18103	120-277VAC Photocell
P17117	Internal Microwave Sensor with Dimming for Mounting Heights of 8 to 40'. 120-277VAC, 50/60Hz

For Replacement Battery Backup, see the LEPG LED Battery Backup Specification Sheet.

Photometric Data



WPC20QC1X56U5KC
Type III
 Grid in MH
 MH=20 Feet



WPC20QF1X56U5KC
Type V
 Grid in MH
 MH=20 Feet

Photometric Performance

LED Board Watts	Drive Current (mA)	Input Watts	Optics	5000 CCT 80 CRI					4000 CCT 80 CRI				
				Lumens	LPW	B	U	G	Lumens	LPW	B	U	G
EasyLED 56w	525	63	Type III	5,895	94	2	2	2	5,659	90	1	2	1
			Type V	6,525	104	2	2	1	6,264	99	2	2	1

Projected Lumen Maintenance

Data shown for 5000 CCT			Compare to MH				
TM-21-11	Input Watts	Initial	25,000 Hrs	50,000 Hrs	100,000 Hrs	Calculated L70@ 25°C	
L70 Lumen Maintenance @ 25°C / 77°F	63	1.00	0.96	0.93	0.85	201,000	
TM-21-11	Input Watts	Initial	25,000 Hrs	50,000 Hrs	100,000 Hrs	Calculated L70@ 50°C	
L70 Lumen Maintenance @ 50°C / 122°F	63	1.00	0.93	0.86	0.73	110,000	
TM-21-11	Input Watts	Initial	25,000 Hrs	50,000 Hrs	100,000 Hrs	Calculated L80@ 40°C	
L80 Lumen Maintenance @ 40°C / 104°F	63	1.00	0.94	0.88	0.77	86,000	

NOTES:

- Projected per IESNA TM-21-11. Data references the extrapolated performance projections for the 525mA base model in a 25°C ambient, based on 10,000 hours of LED testing per IESNA LM-80-08.
- Compare to MH box indicates suggested Light Loss Factor (LLF) to be used when comparing to Metal Halide (MH) systems.

Specifications subject to change without notice.