

Wall Pack Series

Orion Wall Sconce



WPC36

Housing:

Die Cast Aluminum Housing with Full Cutoff Front Frame, Textured Architectural Bronze Powdercoat Finish Over a Chromate Conversion Coating

Reflector:

Choice of Wide Angle or Forward Throw Aluminum Reflector

Lens:

Tempered Flat Clear Glass Lens

Socket:

HID: Porcelain 4KV Pulse Rated Medium Base Socket with Nickel Plated Screw Shell
 PL: Plug-In Type, GX24Q-4

Mounting:

Mount Over a 4" Recessed Outlet Box, Includes Easy-Hang Wall Mounting Plate

Wattage:

High Pressure Sodium: 35 to 150w
 Metal Halide: 50 to 100w
 Pulse Start: 150w
 Compact Fluorescent:

Wide Angle: 1 x 26 to 42w, 2 x 26 to 42w

Forward Throw: 1 x 26 to 42w

Listing & Ratings:

CSA: Listed for Wet Locations
 Meets Dark Sky Requirements

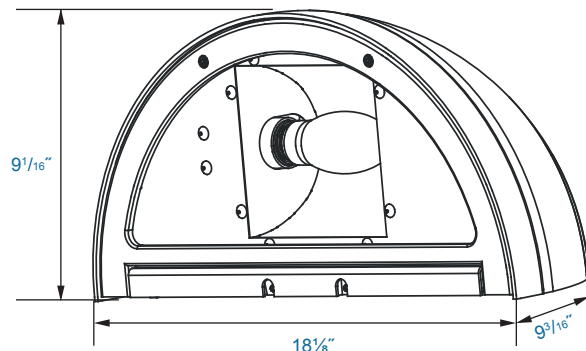
Other Wattages & Custom Colors Available Upon Request.

KELSEY-KANE LIGHTING MFG. CO.
 Voice & Text: 954-772-3187
 E-Mail: info@kelsey-kane.com
 Website: www.kelsey-kane.com

Kit(s)				
Catalog #	Description			
WPC36	Orion Wall Sconce with Wide Angle Reflector, HID Kit			
WPC36F	Orion Wall Sconce with Forward Throw Reflector, HID Kit			
WPC36FF1	Orion Wall Sconce with Forward Throw Reflector, Single Fluorescent Kit			
WPC36WF1	Orion Wall Sconce with Wide Angle Reflector, Single Fluorescent Kit			
WPC36WF2	Orion Wall Sconce with Wide Angle Reflector, Twin Fluorescent Kit			
Complete Units (Lamp Included)				
Catalog #	Wattage	Voltage	Lamp	Ballast
WPC36*H35R120L	35	120	HPS	R-NPF
WPC36*H50R120L	50	120	HPS	R-NPF
WPC36*H70R120L	70	120	HPS	R-NPF
WPC36*H100R120L	100	120	HPS	R-NPF
WPC36*H150R120L	150	120	HPS	R-NPF
WPC36*H50DL	50	120/277	HPS	HX-HPF
WPC36*H70QL	70	Quad	HPS	HX-HPF
WPC36*H100QL	100	Quad	HPS	HX-HPF
WPC36*H150QL	150	Quad	HPS	HX-HPF
WPC36*M50DL	50	120/277	MH	HX-HPF
WPC36*M70QL	70	Quad	MH	HX-HPF
WPC36*M100QL	100	Quad	MH	HX-HPF
WPC36*P150QL	150	Quad	PS	HX-HPF
WPC36WF26EL	1 x 26	120-277	PL	Electronic
WPC36WF32EL	1 x 32	120-277	PL	Electronic
WPC36WF42EL	1 x 42	120-277	PL	Electronic
WPC36WF52EL	2 x 26	120-277	PL	Electronic
WPC36WF64EL	2 x 32	120-277	PL	Electronic
WPC36WF84EL	2 x 42	120-277	PL	Electronic
WPC36FF26EL	1 x 26	120-277	PL	Electronic
WPC36FF32EL	1 x 32	120-277	PL	Electronic
WPC36FF42EL	1 x 42	120-277	PL	Electronic

*Specify F for Forward Throw Reflector

DIMENSIONS



WPC36