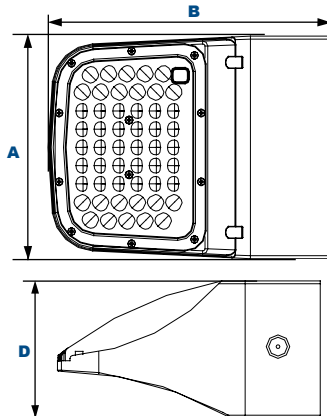




**WPC44Q** **L70** **646,000 Hours**  
**25°C**  
**EasyLED Small PowerPack Full Cutoff**  
**Wall Mount**



**Dimensions**

<b>Width (A)</b>	8 3/4" (220mm)
<b>Length (B)</b>	11" (280mm)
<b>Height 2 (D)</b>	5 3/4" (146mm)

The WPC44Q Small PowerPack full cutoff wall luminaire is available in three wattages with a specially designed Type IV wide forward throw optical distribution that is designed to replace HID lighting systems of up to 175W MH or HPS. Typical wall mounted lighting applications include retail centers, industrial parks, schools and universities, public transit and airports, office buildings and medical facilities. Mounting heights of 12 to 25 feet can be used based on light level and uniformity requirements.

**Specifications and Features:**

**Housing:**

Die Cast Aluminum Housing with Full Cutoff Front Frame, Integral Heat Sinking and Driver Compartment. Twist-Lock Photocell/Smart Controls Adaptable. Nickel-Plated Stainless Steel Hardware.

**Listing & Ratings:**

CSA: Listed for Wet Locations, ANSI/UL 1598, 8750; IP66 Sealed LED Compartment.

**Finish:**

Textured Architectural Bronze Powdercoat Finish Over a Chromate Conversion Coating. Custom Colors Available Upon Request.

**Lens:**

Clear One-Piece Molded Type IV Polycarbonate Lens.

**Mounting Options:**

Mount Directly Over a 4" Recessed Outlet Box, Includes Easy-Hang "Two Hands Free" Wall Mounting Bracket with Built-In Level. Optional Trim Plate is Available for Use in Retrofit Applications to Cover Wall Surface Blemishes.

**EasyLED LED:**

Aluminum Boards

**Wattage:**

25w: Array: 24.9w, System: 28.4w (100w HID Equivalent)  
 37w: Array: 37.3w, System: 41.8w (175w HID Equivalent)  
 81w: Array: 80.8w, System: 83.7w (175w HID Equivalent)

**Driver:**

Electronic Driver, 120-277V, 50/60Hz; Less Than 20% THD and PF>0.90. Standard Internal Surge Protection is 2kV for 25w, 6kV for 37 and 81w. 0-10V Dimming Standard for a Dimming Range of 100% to 10%; Dimming Source Current is 150 Microamps.

**Controls:**

Fixtures Ordered with Factory-Installed Photocell or Motion Sensor Controls are Internally Wired for Switching and/or 1-10V Dimming Within the Housing. Remote Direct Wired Interface of 1-10V Dimming is Not Implied and May Not Be Available, Please Consult Factory. Fixtures are Tested with LEPC Controls and May Not Function Properly With Controls Supplied By Others. Fixtures are NOT Designed for Use with Line Voltage Dimmers.

**Warranty:**

5-Year Warranty for -40°C to +50°C Environment.

See Page 2 for Projected Lumen Maintenance Table.

**Order Information Example:**

WPC44QD1X81U5KCZSP

WPC44Q	D		U		C		
Model	Optics	Wattage	Driver	CCT	Lens	Color	Options
WPC44Q= EasyLED Small PowerPack Full Cutoff Wall Mount	D=Type IV	1X25=25w 1X37=37w 1X81=81w	U=120-277V	4K=4000K 5K=5000K	C=Clear Molded Polycarbonate Lens	Z=Bronze C=Custom (Consult Factory)	SF=Single Fuse DF=Double Fuse SP=Surge Protection R3=3-Pin Twist Lock Photocell Receptacle R7=7-Pin ANSI C136.41—2013 Twist Lock Photocell Receptacle PC1=Photocell, 120VAC PC2=Photocell, 250-305VAC S23=Internal Microwave Sensor with Dimming for Mounting Heights of 25' or Less BU=Battery Backup, 90 Minutes* *25w and 37w only.

**Project Information:**

Project Name: \_\_\_\_\_ Fixture Type: \_\_\_\_\_  
 Complete Catalog #: \_\_\_\_\_ Date: \_\_\_\_\_  
 Comments: \_\_\_\_\_

**Certification & Listings:**





**Accessories & Replacement Parts:**



**WPC44TPZ\***



**ACCHSG3**



**P17117**



**PC1 & PC2**

\*Shown Mounted.

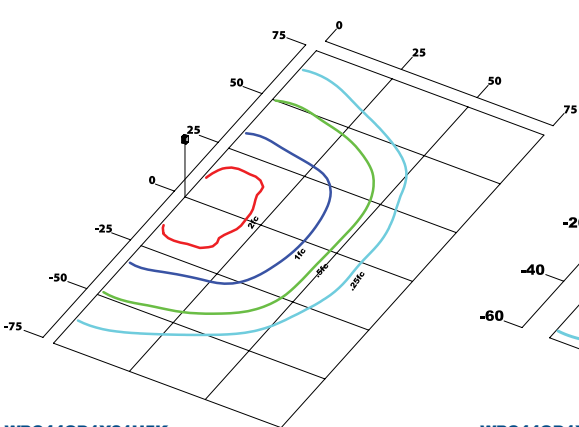
**Accessories (Order Separately, Field Installed)**

P18140	110-120VAC Instant Twist Lock Photocell
P18142	105-287VAC Instant Twist Lock Photocell
P18150	120VAC Time Delay Twist Lock Photocell
P18152	277VAC Time Delay Twist Lock Photocell
P18131	Twist Lock Non-Shorting (Open) Cap Disconnects Service to Fixture for Temporary or Permanent Disabling (Fixture Always Off). IP65, 480V Maximum.
P18132	Twist Lock Shorting Cap Provides Fixed Service to Fixture (Fixture Always on). IP65, Rated Load 7200w Tungsten.
WPC44TPZ	Aluminum Trim Plate, Bronze Powdercoat Finish
ACCHSG3	Bronze Polycarbonate Housing for Installing Sensors, Includes Sensor Bracket and Gasket.

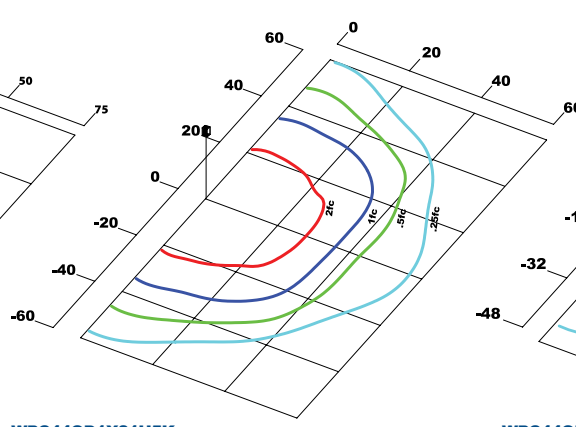
**Replacement Parts (Order Separately, Field Installed)**

P17117	Internal Microwave Sensor with Dimming, 120-277VAC, 50/60Hz. See P17117 Specification Page for Details.
PC1	120VAC Photocell
PC2	250-305VAC Photocell
For Replacement Battery Backup, see the LEPEG LED Battery Backup Specification Sheet.	

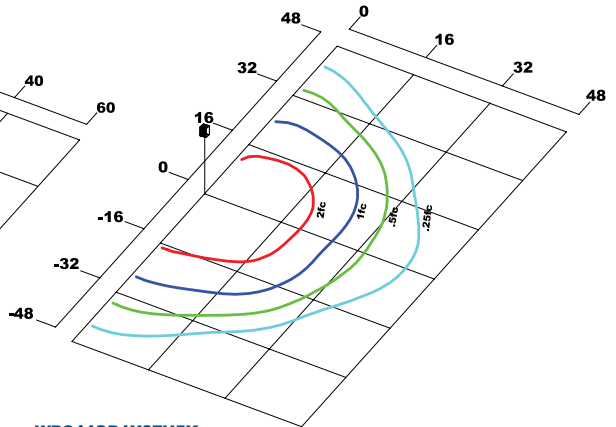
**Photometric Data**



**WPC44QD1X81U5K**  
**Type IV**  
 Grid in MH  
 MH=25 Feet



**WPC44QD1X81U5K**  
**Type IV**  
 Grid in MH  
 MH=20 Feet



**WPC44QD1X37U5K**  
**Type IV**  
 Grid in MH  
 MH=16 Feet

**Photometric Performance**

LED Board Watts	Drive Current (mA)	Input Watts	Optics	5000 CCT 80 CRI			4000 CCT 80 CRI			
				Lumens	LPW	B U G	Lumens	LPW	B U G	
EasyLED 25w	525	28	Type IV	3,424	122	1 1 1	3,151	113	1 1 1	
EasyLED 37w		42		4,604	110	1 1 1	4,459	106	1 1 1	
EasyLED 81w		84		9,278	110	2 1 2	9,166	109	2 1 2	

**Projected Lumen Maintenance**

Data shown for 5000 CCT			Compare to MH			
TM-21-11	Input Watts	Initial	25,000 Hrs	50,000 Hrs	100,000 Hrs	Calculated L70@ 25°C
<b>L70 Lumen Maintenance @ 25°C / 77°F</b>	84	1.00	0.99	0.98	0.95	646,000
TM-21-11	Input Watts	Initial	25,000 Hrs	50,000 Hrs	100,000 Hrs	Calculated L70@ 50°C
<b>L70 Lumen Maintenance @ 50°C / 122°F</b>	84	1.00	0.98	0.97	0.93	455,000
TM-21-11	Input Watts	Initial	25,000 Hrs	50,000 Hrs	100,000 Hrs	Calculated L80@ 40°C
<b>L80 Lumen Maintenance @ 40°C / 104°F</b>	84	1.00	0.98	0.97	0.94	320,000

**NOTES:**

1. Projected per IESNA TM-21-11. Data references the extrapolated performance projections for the 525mA base model in a 25°C ambient, based on 10,000 hours of LED testing per IESNA LM-80-08.
2. Compare to MH box indicates suggested Light Loss Factor (LLF) to be used when comparing to Metal Halide (MH) systems.