



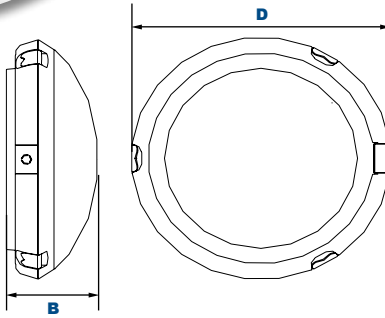
WPR32Q

EasyLED Large Moonglow



Dimensions

Length (B)	5 1/4" (135mm)
Diameter (D)	17" (432mm)



The Large Moonglow is designed to replace HID lighting systems up to 175w MH or HPS. The open door frame allows for maximum light output. Typical applications include office and public buildings, condominiums, schools, shopping malls, and hospitality. Recommended mounting heights are 8 to 20 feet.

Specifications and Features:

Housing:

Round White ABS Housing with Hinged Front Frame and 4 Clips with Tamper Resistant Screws.

Listing & Ratings:

CSA: Listed for Wet Locations, Wall and Ceiling Mount. ANSI/UL 1598, 8750
IP65 Sealed LED Compartment.

Lens:

Low Profile Opal UV-Stabilized Polycarbonate Lens for Evenly Diffused Light.

Mounting Options:

Surface Ceiling or Wall Mount

EasyLED LED:

Aluminum Boards

Wattage:

System: 30w (175w HID Equivalent)

Driver:

Electronic Driver, 120-277V, 50/60Hz; Less Than 20% THD and PF>0.90. Standard Internal Surge Protection 2kV. 0-10V Dimming Standard for a Dimming Range of 100% to 10%; Dimming Source Current is 150 Microamps.

Warranty:

5-Year Warranty for -40°C to +40°C Environment.

Order Information Example: WPR32QF1X30U4KWS2

WPR32Q	F	1X30	U	4K	W	
Model	Optics	Wattage	Driver	CCT	Color	Options
WPR32Q= EasyLED Large Moonglow	F=Type IV	1X30=30w	U=120-277V	4K=4000K	W=White	S2 =Microwave Sensor with Dimming for Mounting Heights of 8 to 40' (120-277V Only) S4 =Microwave On/Off Motion Sensor for Mounting Heights of 8' to 19', (120-277V Only)

Project Information:

Project Name: _____ Fixture Type: _____

Complete Catalog #: _____ Date: _____

Comments: _____

Certification & Listings:





Accessories & Replacement Parts:



P17117



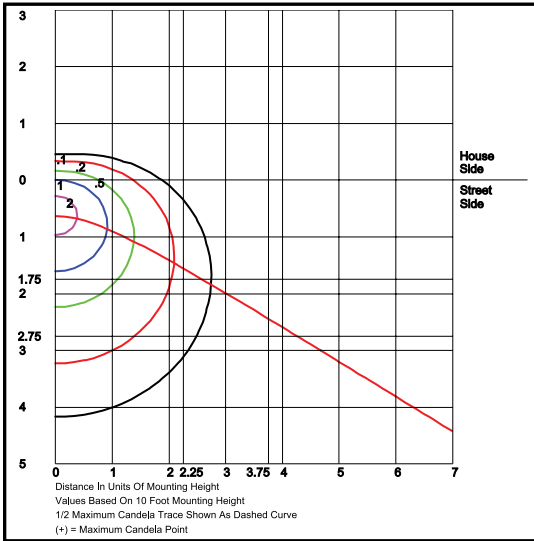
P17123

**Replacement Parts
 (Order Separately, Field Installed)**

P17117 Internal Microwave Sensor with Dimming for Mounting Heights of 8 to 40'. 120-277VAC, 50/60Hz.

P17123 Internally Mounted Microwave On/Off Motion Sensor for Mounting Heights of 8' to 19'. 120-277VAC, 50/60Hz

Photometric Data



WPR32QF1X30U4K

Type IV
 Grid in MH
 MH=10 Feet

Photometric Performance

LED Board Watts	Drive Current (mA)	Input Watts	Optics	4000 CCT 80 CRI				
				Lumens	LPW	B	U	G
EasyLED 30w	525	30	Type IV	2,633	88	0	5	3