

EasyLED Series

EasyLED Acclaim Wall Pack Half Cutoff Frame



WPR40HCQ

Housing:

15" Diameter Die Cast Aluminum Housing & Half Cutoff Top Frame, 1/2" Coin Plugs with O-rings for Conduit & Photocell, Textured Architectural Bronze Powdercoat Finish Over a Chromate Conversion Coating

Listing & Ratings:

CSA: Listed for Wet Locations, ANSI/UL 1598, 8750 IP65 Sealed LED Compartment.

Lens:

Clear Prismatic Molded or Frost Prismatic Molded Borosilicate Glass Lens

Mounting:

Cast-in Template for Mounting Directly Over a 4" Recessed Outlet Box, or Use 1/2" Surface Conduit.

LumaFit LED:

Array Lumens: 3,249

CRI: 85

CCT: 5000K

Rated Life: 50,000 Hours

Aluminum Boards

Wattage:

Array: 22.7w, System: 27.2w

Driver:

Electronic Driver, 120-277V, 50/60Hz or

347-480V, 50/60Hz;

Dimmable Driver

Warranty:

5-Year Warranty for -40°C to +40°C Environment.

Options:

Surge Protection

Battery Backup

Custom Colors Available Upon Request.

KELSEY-KANE LIGHTING MFG. CO.

Voice & Text: 954-772-3187

E-Mail: info@kelsey-kane.com

Website: www.kelsey-kane.com

EasyLED Acclaim Wall Pack Half Cutoff Frame

Catalog #

Description

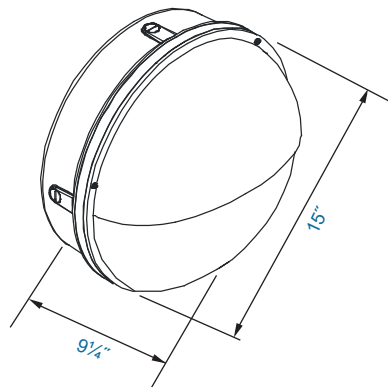
Complete Units

Ordering Information

Example: WPR40HCQF1X23U5KCZSP

WPR40HC	Model:	WPR40HC
Q	LED Mfr:	Q=QSSI
F	Optics:	F=Medium Beam Spread
1X	Number of Arrays:	1X=One
23	Wattage:	23=23w
U	Ballast:	U=120-277V, H=347-480V
5K	CCT:	5K=5000K
C	Lens:	C=Clear, F=Frost
Z	Color:	Z=Bronze, W=White, B=Black
-	Mounting:	N/A
SP	Options:	SF=Single Fuse, DF=Double Fuse, SP=Surge Protection

DIMENSIONS

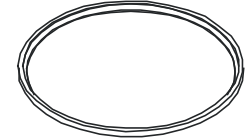
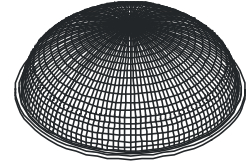


WPR40HCQ

EasyLED Series

EasyLED Acclaim Wall Pack Half Cutoff Frame

Catalog #	Description
WPR40GLC	Clear Prismatic Molded Borosilicate Glass Lens
WPR40GLF	Frosted Prismatic Molded Borosilicate Glass Lens
WPR40TRBZ	Trim Ring, Die Cast Aluminum, 19½" Outer Diameter, Allows Recessed Mounting of Fixture, Textured Bronze Finish
3EBL1202774500	Provides 90 Minutes of Backup Power.



WPR40GLC,
WPR40GLF



WPR40TRBZ



3EBL1202774500

KELSEY-KANE LIGHTING MFG. CO.
Voice & Text: 954-772-3187
E-Mail: info@kelsey-kane.com
Website: www.kelsey-kane.com