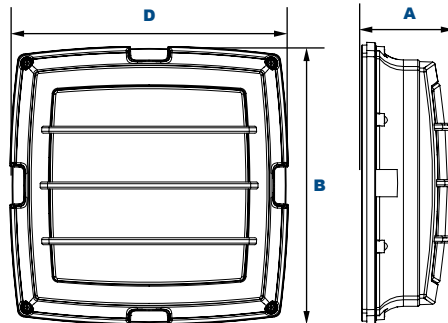




WPS25GRQ **L70** **187,000 Hours**
 25°C
EasyLED Excel Square Bulkhead Grid Frame



Dimensions

Width (D)	12½" (318mm)
Length (B)	12½" (318mm)
Height (A)	4¼" (108mm)

Excel Square Bulkhead is designed to replace HID lighting systems up to 100w MH or HPS. The grid frame helps protect the polycarbonate lens and adds a decorative appearance. Typical applications include office and public buildings, condominiums, schools, shopping malls, and hospitality. Recommended mounting heights are 8 to 20 feet.

Specifications and Features:

Housing:

Die Cast Gasketed Aluminum Grid Front Frame and Housing with Integral Heat Sinking and Driver Compartment. Nickel-Plated Stainless Steel Hardware. Photocell Adaptable.

Listing & Ratings:

CSA: Listed for Wet Locations, ANSI/UL 1598, 8750
 IP65 Sealed LED Compartment.

Finish:

Textured Architectural Bronze Powdercoat Finish Over a Chromate Conversion Coating. Custom Colors Available Upon Request.

Lens:

LumaLens Polycarbonate Opal Lens Eliminates LED Hot Spots.

Mounting Options:

Surface Mount

EasyLED LED:

Aluminum Boards

Wattage:

Array: 17w, System: 19.7w
 (100w HID Equivalent)

Driver:

Electronic Driver, 120-277V, 50/60Hz; Less Than 20% THD and PF>0.90. Standard Internal Surge Protection 2kV. 0-10V Dimming Standard for a Dimming Range of 100% to 10%; Dimming Source Current is 150 Microamps.

Warranty:

5-Year Warranty for -40°C to +50°C Environment.

See Page 2 for Projected Lumen Maintenance Table.

Order Information Example:

WPS25GRQF1X17U5KLZSF

WPS25GRQ	F	1X17	U		L		
Model	Optics	Wattage	Driver	CCT	Lens	Color	Options

WPS25GRQ=
 EasyLED Excel Square
 Bulkhead Grid Frame

F=Type IV

1X17=17w

U=120-277V

4K=4000K
5K=5000K

L=LumaLens
 Polycarbonate
 Opal Lens

Z=Bronze
W=White
C=Custom
 (Consult Factory)

SF=Single Fuse
DF=Double Fuse
SP=Surge Protector
P10=Pencil Photocell, 120VAC
P12=Pencil Photocell, 277VAC
S2=Microwave Sensor w/
 Dimming (Internal), for Mounting
 Heights of 15ft or Less
BU=Battery Backup, 90 Minutes

Project Information:

Project Name: _____ Fixture Type: _____
 Complete Catalog #: _____ Date: _____
 Comments: _____

Certification & Listings:





Accessories & Replacement Parts:



3EBL120277

P18110 & P18112

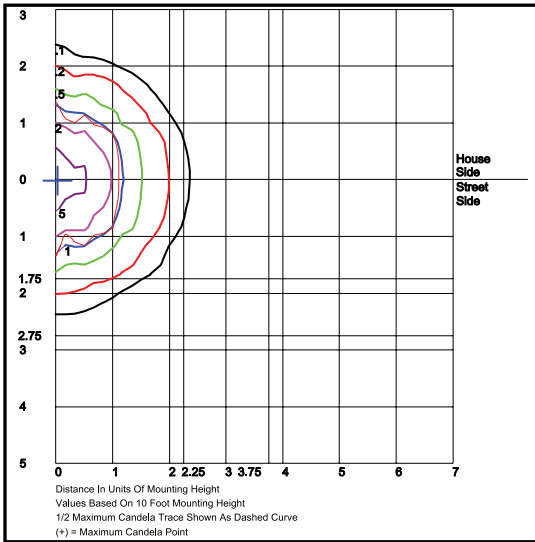


P17117

Replacement Parts
(Order separately, Field installed)

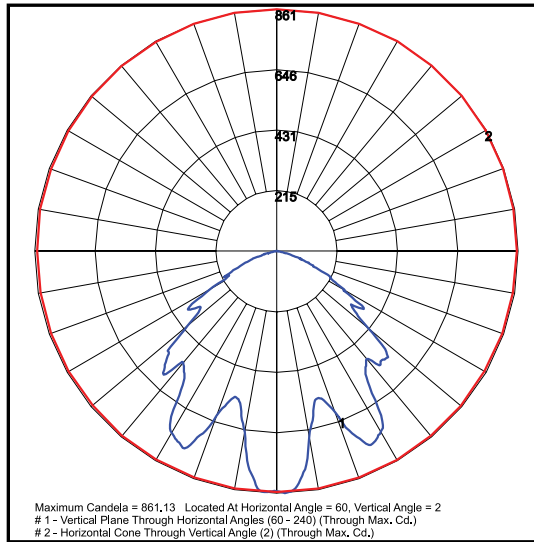
3EBL120277	Battery Backup, Provides 90 Minutes of Backup Power.
P18110	110-130V 120VAC Pencil Photocell
P18112	208-277V 240VAC Pencil Photocell
P17117	Microwave Sensor w/Dimming (Internal), for Mounting Heights of 15ft or Less

Photometric Data



WPS25GRQF1X17U5K
Type IV

Grid in MH
 MH=10 Feet



WPS25GRQF1X17U5K
Type IV

Grid in MH
 MH=10 Feet

Photometric Performance

LED Board Watts	Drive Current (mA)	Input Watts	Optics	5000 CCT 80 CRI			4000 CCT 80 CRI			
				Lumens	LPW	B U G	Lumens	LPW	B U G	
EasyLED 17w	525	20	Type IV	1,923	96	0 4 2	1,846	92	0 4 2	

Projected Lumen Maintenance

Data shown for 5000 CCT	Compare to MH					
	TM-21-11	Input Watts	Initial	25,000 Hrs	50,000 Hrs	100,000 Hrs
L70 Lumen Maintenance @ 25°C / 77°F	20	1.00	0.96	0.92	0.84	187,000
Data shown for 5000 CCT	Compare to MH					
TM-21-11	Input Watts	Initial	25,000 Hrs	50,000 Hrs	100,000 Hrs	Calculated L70@ 50°C
L70 Lumen Maintenance @ 50°C / 122°F	20	1.00	0.96	0.91	0.82	113,000
Data shown for 5000 CCT	Compare to MH					
TM-21-11	Input Watts	Initial	25,000 Hrs	50,000 Hrs	100,000 Hrs	Calculated L80@ 40°C
L80 Lumen Maintenance @ 40°C / 104°F	20	1.00	0.94	0.89	0.77	88,000

NOTES:

1. Projected per IESNA TM-21-11. Data references the extrapolated performance projections for the 525mA base model in a 25°C ambient, based on 10,000 hours of LED testing per IESNA LM-80-08.
2. Compare to MH box indicates suggested Light Loss Factor (LLF) to be used when comparing to Metal Halide (MH) systems.